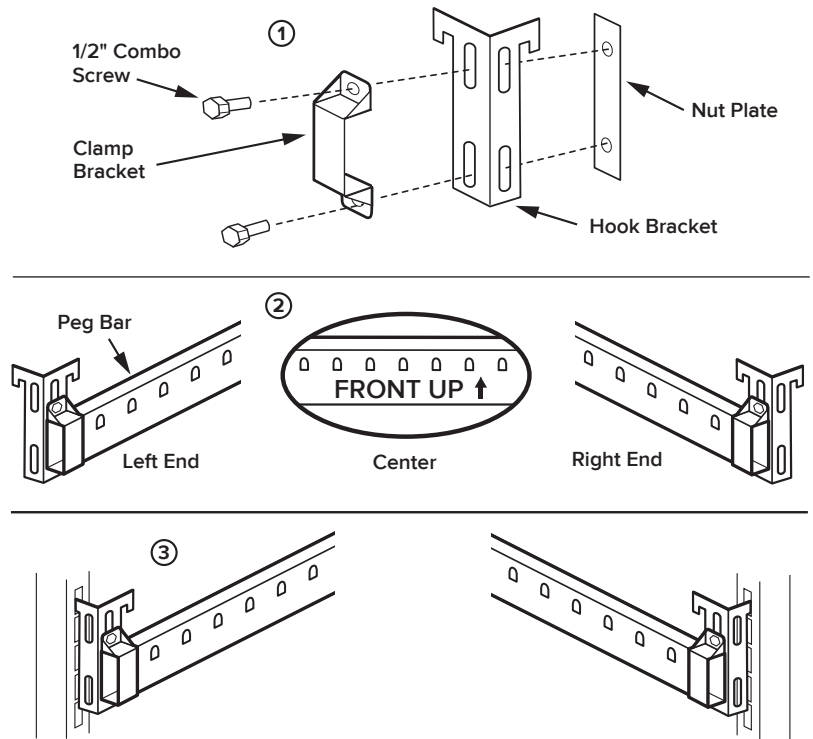


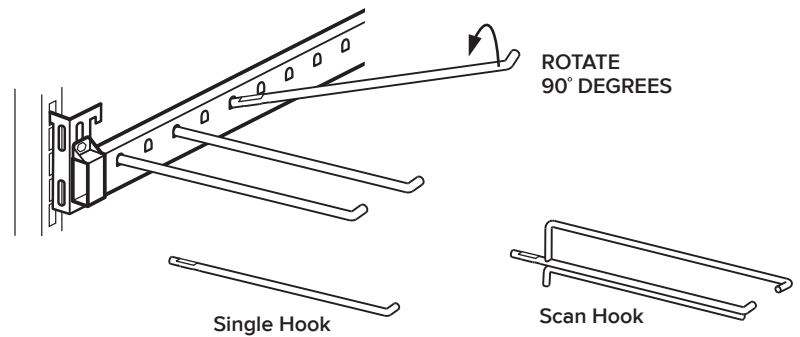
Install Peg Bar

- ① Assemble clamp brackets onto hook brackets and nut plates one LH and one RH, leave loose at this time. **NOTE:** There are two hook brackets and two nut plates per peg bar. Use 1/2" screws.
- ② Slide LH/RH hook brackets assemblies onto ends of peg bar. Please note the **FRONT UP ↑** marking centered on the peg bar.
- ③ Hook the peg bar into the upright standard starting at the highest point you require this peg bar assembly to be located. With the hook brackets loose, center the peg bar by sliding back and forth. Now tighten all loose screws on the brackets by using a screw driver (slotted or Phillips) or a 3/8" wrench or socket. Tighten securely!
- ④ Repeat steps 1, 2, & 3 for the other peg bars, spacing the peg bar on the upright standards as your product requires.



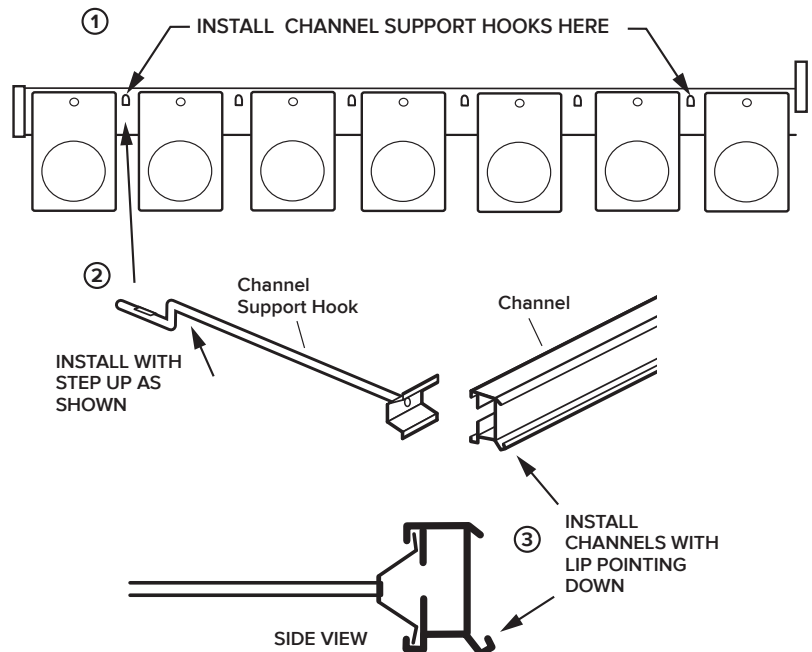
Install Peg Hooks

- ① Hold your product against the bar to determine proper spacing and mark the holes that correspond with packaged holes.
- ② Insert peg hooks holding at a 90° angle into both front and rear hole, rotate the peg hook so that the front end of the hook points up. Lightly pull the hook out towards you, this will allow the hook to sit properly.



Install Sign Channel

- ① Insert two Channel Support Hooks into the open holes between the products you are displaying. Try to use about 5" to 6" from the ends of the bar; this is usually between the 1st or 2nd row of product.
- ② The Channel Support Hooks are installed the same way as the regular Single Hook (see *Install Peg Hooks - Step 2*). Insert the hook through the holes in the front and rear of the bar. Turn 90° and then pull forward slightly to set the hook.
- ③ Clip the Channel Support Hooks into the back of the Channel as shown. The Channel should be centered left to right over the Peg Bar.



NOTE: There may be variations in the height of Channels when used next to each other. To correct, adjust the height of the Channel by bending the Channel Support Hooks up or down until the channels line up.